

## auto electrical parts

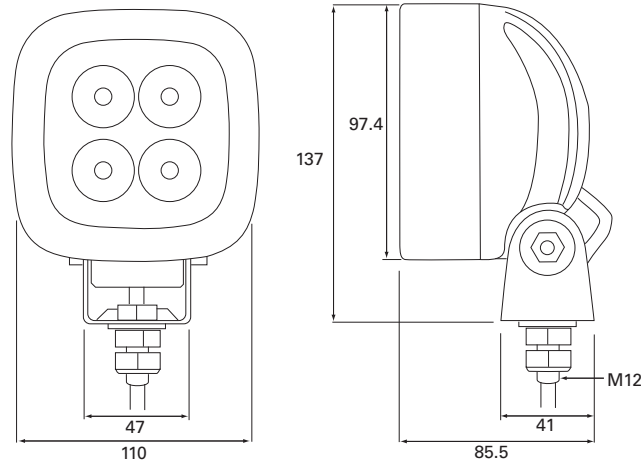
### Technical Information Sheet

#### Part No. 0-420-70

A powerful and compact quad 3 watt 9-50 volt LED work lamp. Low current draw, 1.4 amp at 12 volt dc. Polymer housing, supplied with stainless steel bracket, 2m lead. Protected to IP66. I 110 x w 84 x h 139mm.



#### Technical Drawing (not to scale)



#### Specification

Type	LED work lamp
Voltage	9 - 50 volt dc
Current	1.4 amp at 12 volt dc
LEDs	4 x 3W (5000-6500K)
Light intensity	800 candela
Housing	Polymer
Lens	Polycarbonate
Body Heat sink	Powder coated Aluminium
Degree of protection	IP66
Operating temperature	-20°C to +60°C
Weight	860g
Dimensions	I 110 x w 84 x h 139
Approvals	CE

The information contained in this document is correct to the best of our knowledge at the time of printing. However, specifications may change at any time without notice.